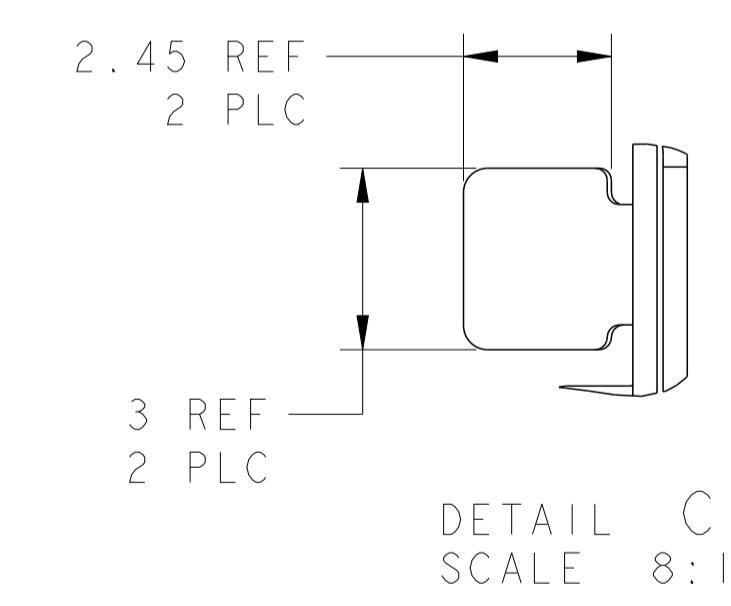
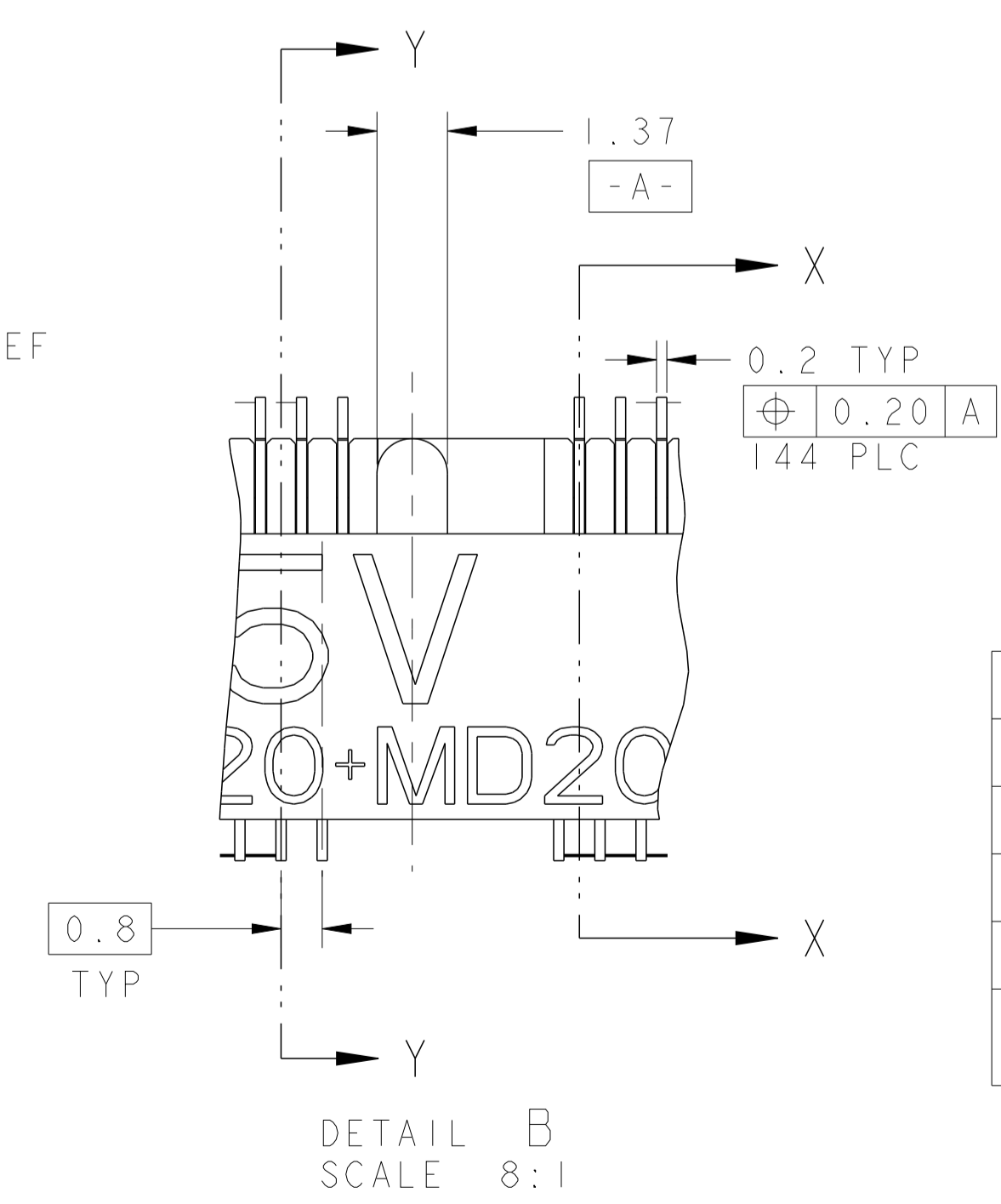
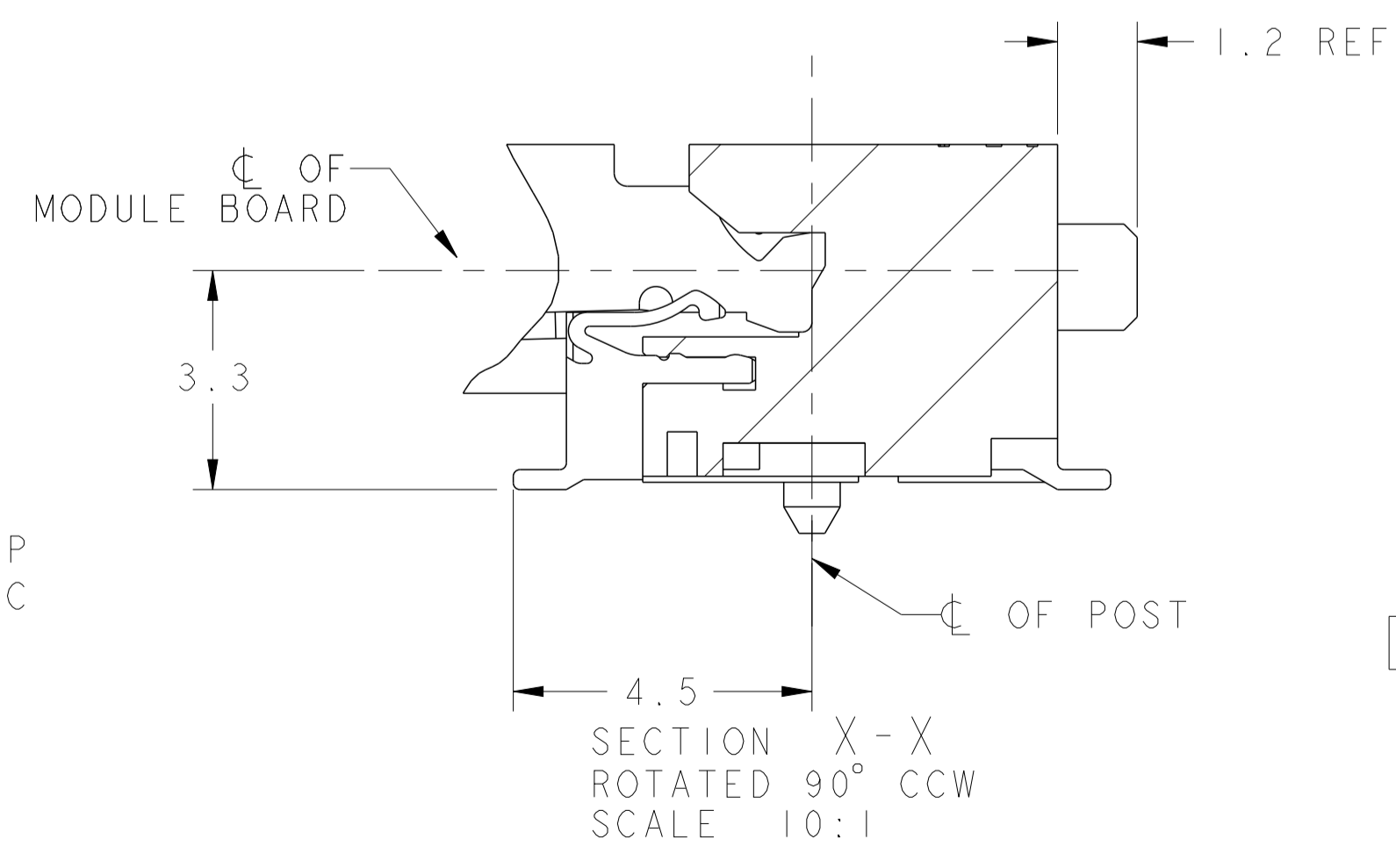
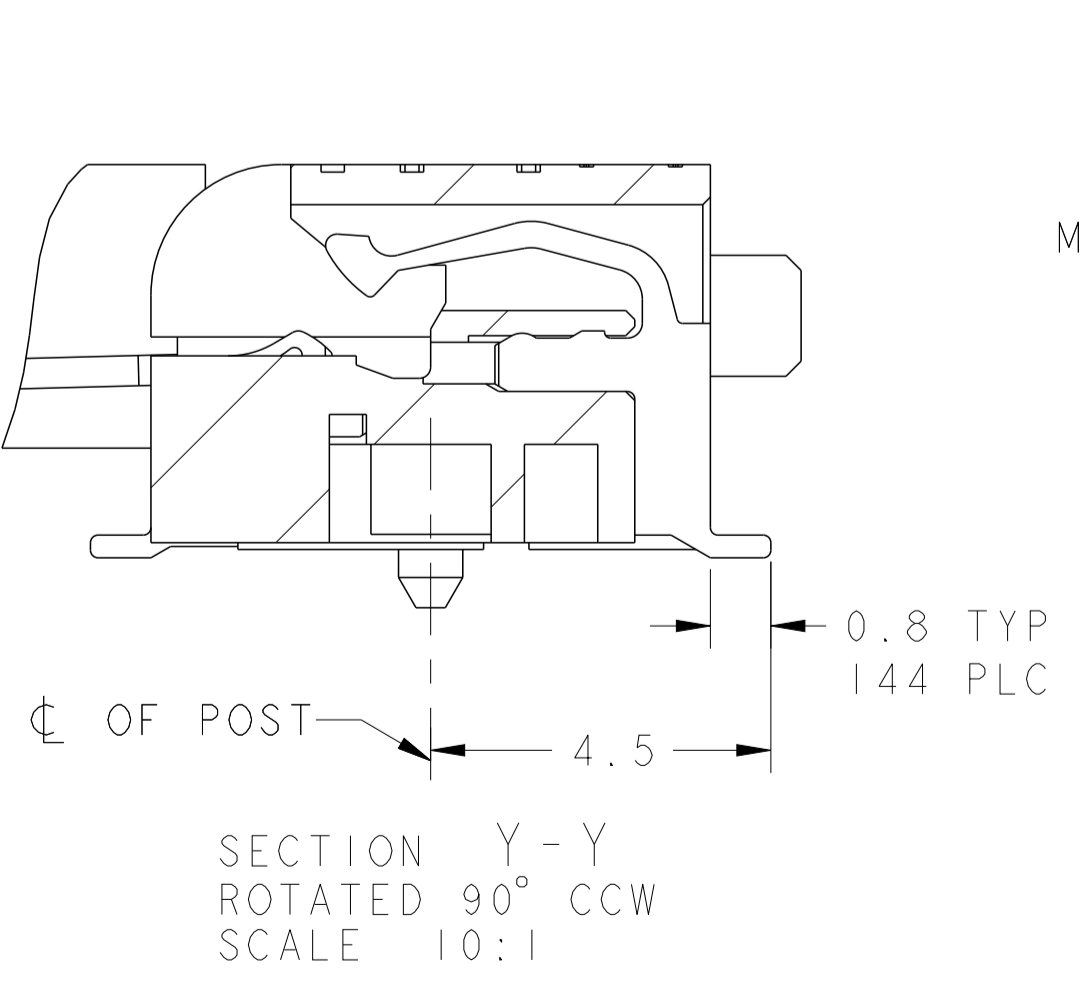
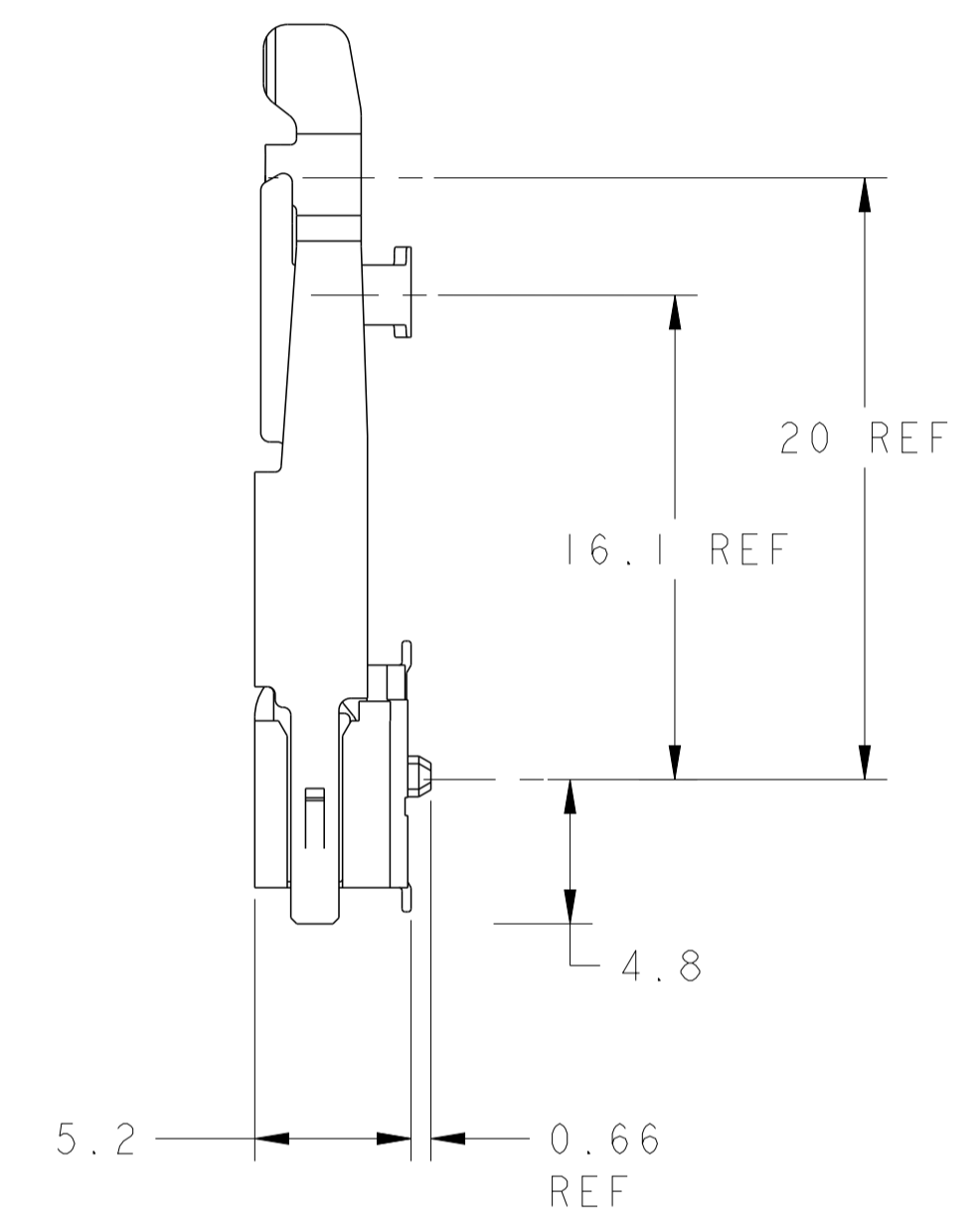
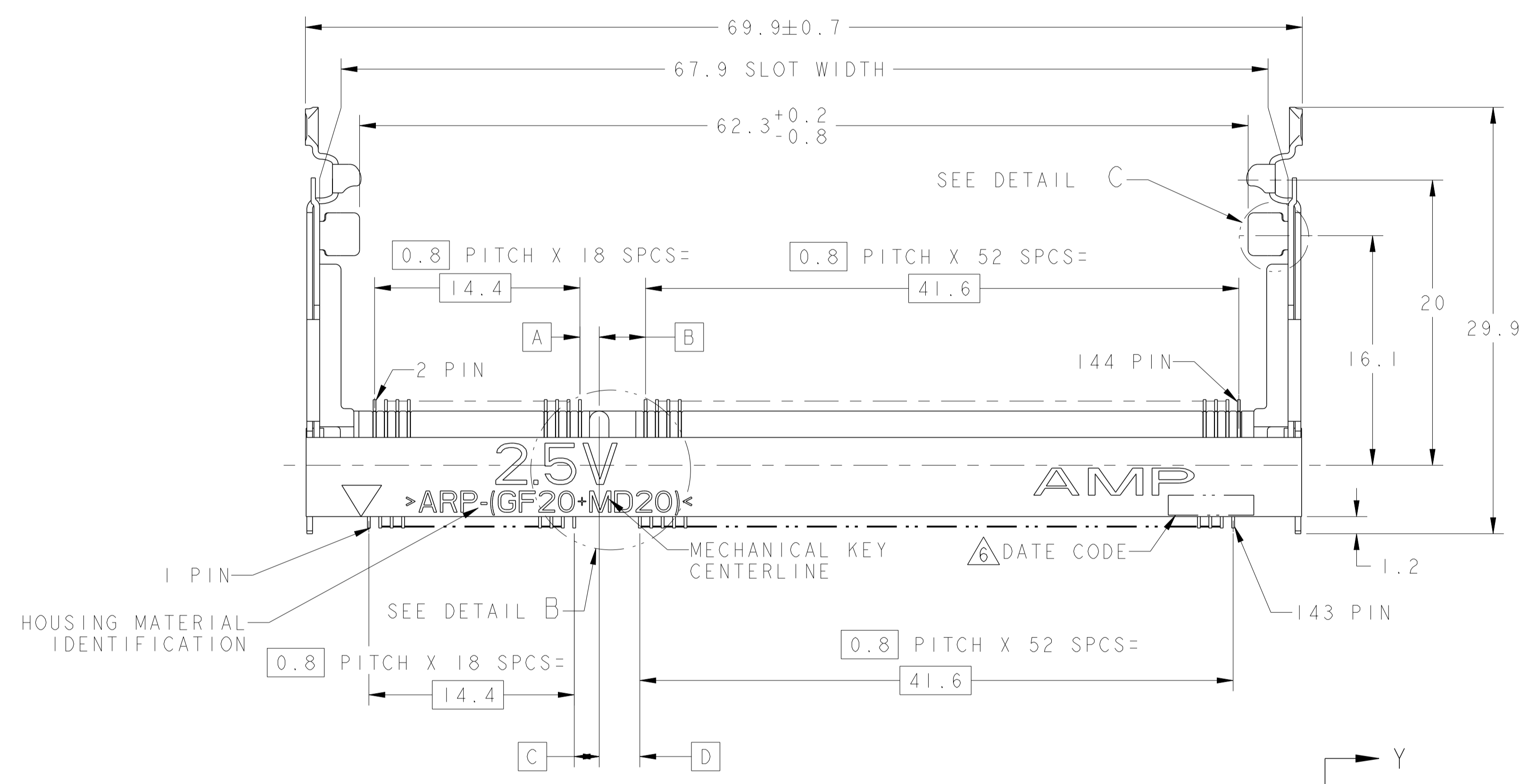


- 1 MATERIAL:
 HOUSING: HIGH TEMPERATURE PLASTIC, UL94V-0, NAT.
 CONTACT: COPPER ALLOY
 LATCH: SUS301 STAINLESS STEEL
- 2 FINISH:
 CONTACT AREA: 0.00025 MIN GOLD ON
 0.001 MIN ALL OVER NICKEL
 SOLDERING AREA: 0.00005 MIN TO 0.00030 MAX GOLD.
 LATCH: TIN.
- 3. TOLERANCES NON-ACCUMULATIVE.
- 4 PART PACKAGED IN TAPE & REEL AS PER EIA-1S704 STANDARD.
 REEL DIAMETER SHALL BE 330mm,
 TAPE WIDTH SHALL BE 88mm, AND
 TAPE PITCH SHALL BE 36mm.
- 5. COMPLIES WITH JEDEC SOCKET OUTLINE SO-008.
- 6 DATE CODE (4-DIGITS), LOCATED AS SHOWN.
 TO BE INTERPRETED AS FOLLOWS:
 DIGIT # 1 - LAST DIGIT OF YEAR.
 DIGITS # 2 AND # 3 - CALENDAR WEEK.
 DIGIT # 4 - DAY OF THE WEEK (WITH SUNDAYS AS DAY 1).



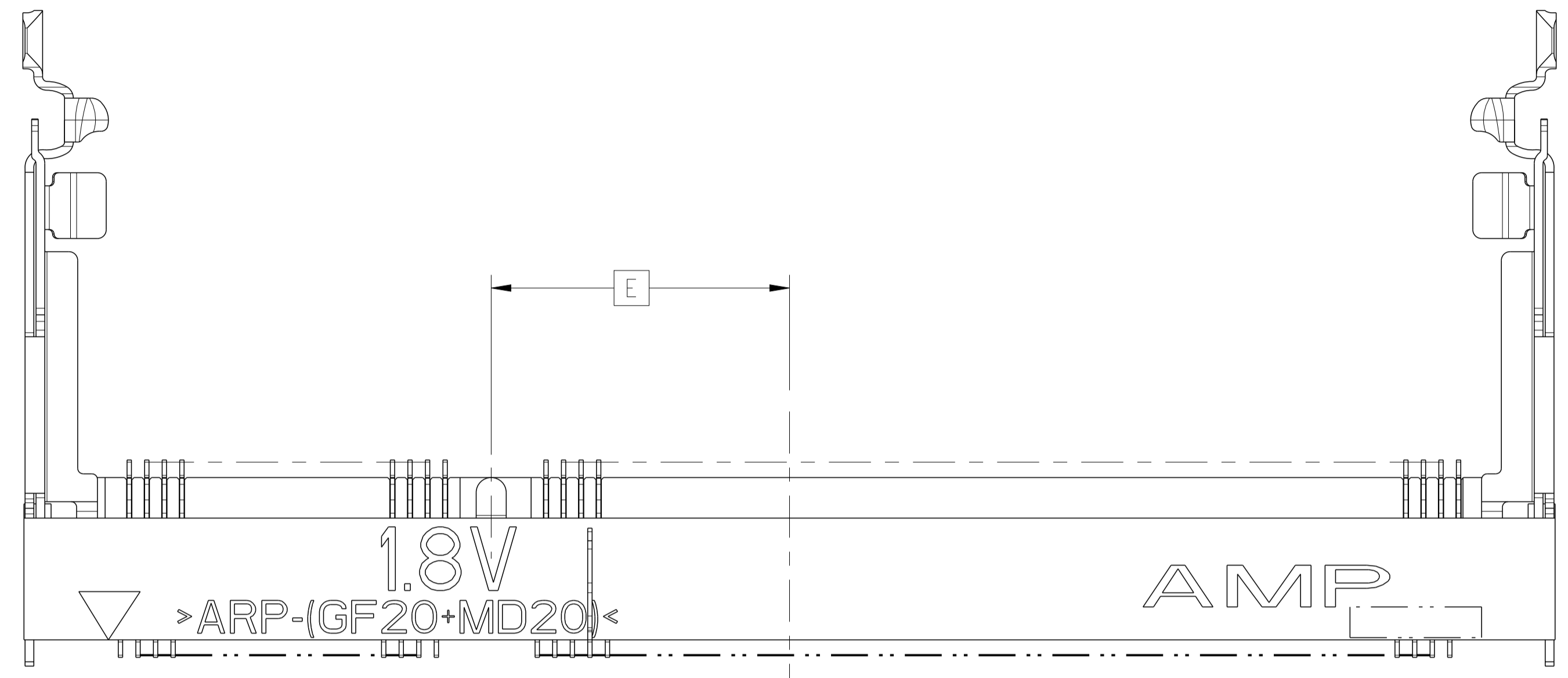
X-1735251-1 AS SHOWN

| PACKAGING | DIM E | DIM D | DIM C | DIM B | DIM A | VARIATION VOLTAGE (DDR TYPE) | POS | PART NUMBER |
|----------------------|-------|-------|-------|-------|-------|------------------------------|-----|-------------|
| TAPE & REEL Δ | 12.85 | 1.35 | 3.25 | 1.75 | 2.85 | AC 1.50/1.35V (DDR3) | 144 | 1-1735251-3 |
| TAPE & REEL Δ | 13.60 | 2.10 | 2.5 | 2.5 | 2.10 | AB 1.8V (DDR2) | 144 | 1-1735251-2 |
| SOFT TRAY | 12.85 | 1.35 | 3.25 | 1.75 | 2.85 | AC 1.50/1.35V (DDR3) | 144 | 1735251-3 |
| SOFT TRAY | 13.60 | 2.10 | 2.5 | 2.5 | 2.10 | AB 1.8V (DDR2) | 144 | 1735251-2 |
| SOFT TRAY | 14.35 | 2.85 | 1.75 | 3.25 | 1.35 | AA 2.5V (DDR1) | 144 | 1735251-1 |

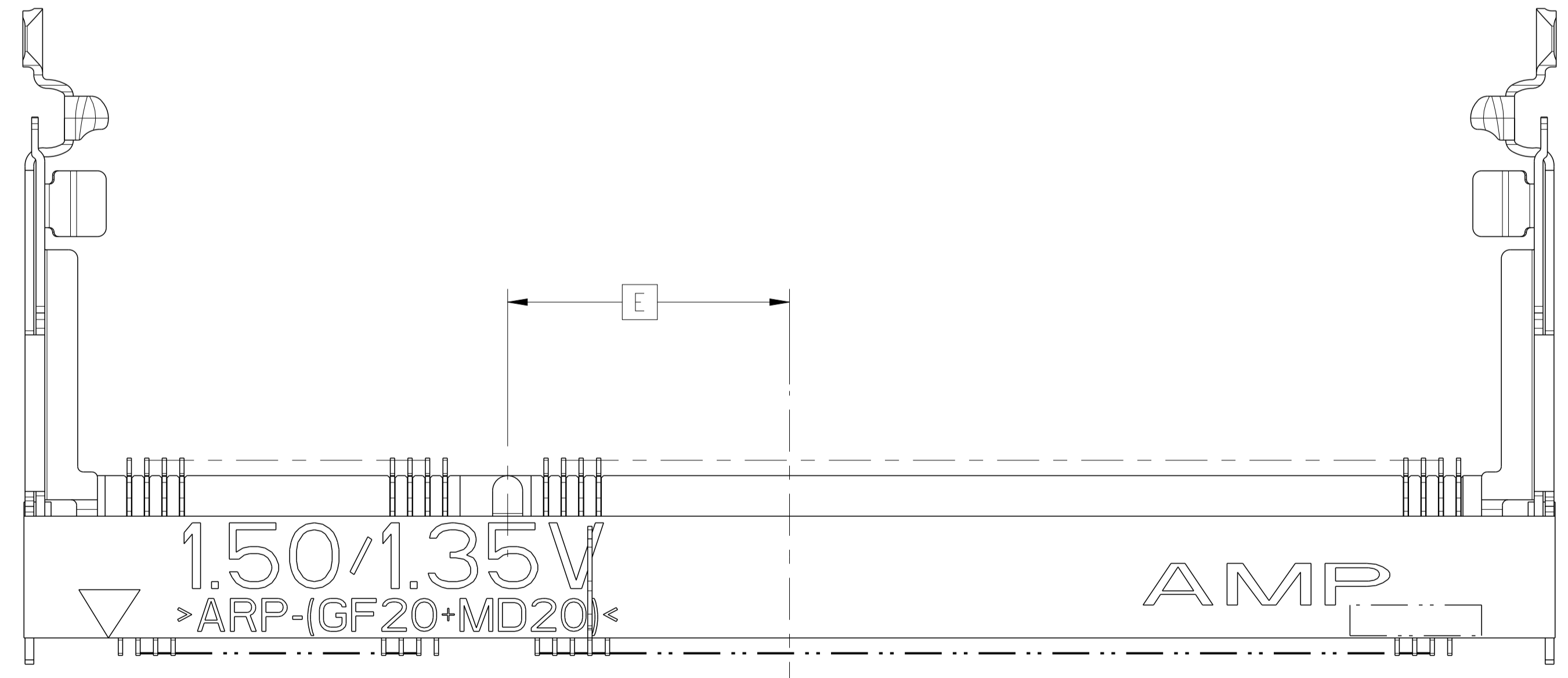
| | | | | |
|---|--|--|--|------------------------------|
| <small>THIS DRAWING IS A CONTROLLED DOCUMENT FOR AMP INCORPORATED AND IS SUBJECT TO CHANGE. AMP, THE CONTROLLED DOCUMENTING ORGANIZATION SHOULD BE CONTACTED FOR THE LATEST REVISION.</small> | | DWN: NYLEE CDR: YJ SEE APD: SE LEONG PRODUCT SPEC: 108-1739 APPLICATION SPEC: 114-1114 | 25MAY05 NAME: S.O. DIMM SOCKET, 0.8mm PITCH, 144 POSITION, STD PROFILE SIZE: A1 CAGE CODE: 00779 DRAWING NO: 1735251 SCALE: 4:1 | TE CONNECTIVITY Singapore |
| DIMENSIONS: mm TOLERANCES UNLESS OTHERWISE SPECIFIED: 0 PLC ± 0.2 1 PLC ± 0.2 2 PLC ± 0.2 3 PLC ± 0.2 4 PLC ± 0.2 ANGLES: ± 0.1 | | MATERIAL: Δ FINISH: Δ | WEIGHT: - CUSTOMER DRAWING | SHEET 1 OF 3 REV A2 |

THIS DRAWING IS UNPUBLISHED. RELEASED FOR PUBLICATION .19
 © COPYRIGHT 19 BY AMP INCORPORATED. ALL RIGHTS RESERVED.

| LOC | | DIST | | REVISIONS | | | |
|-----|------|------|-----|-------------|------|----|-----|
| NO | DATE | BY | CHK | DESCRIPTION | DATE | BY | CHK |
| 1 | | | | SEE SHEET 1 | | | |

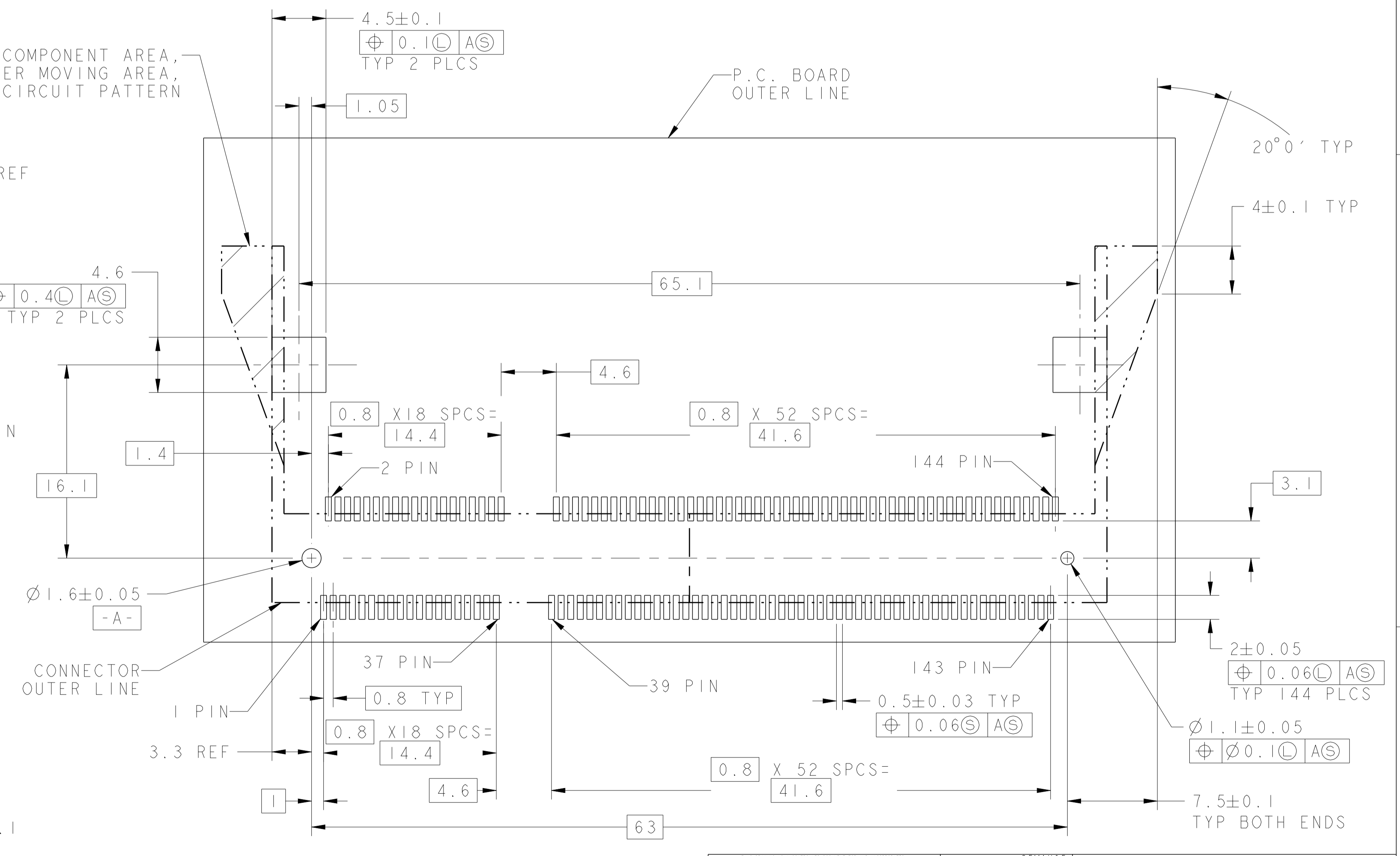
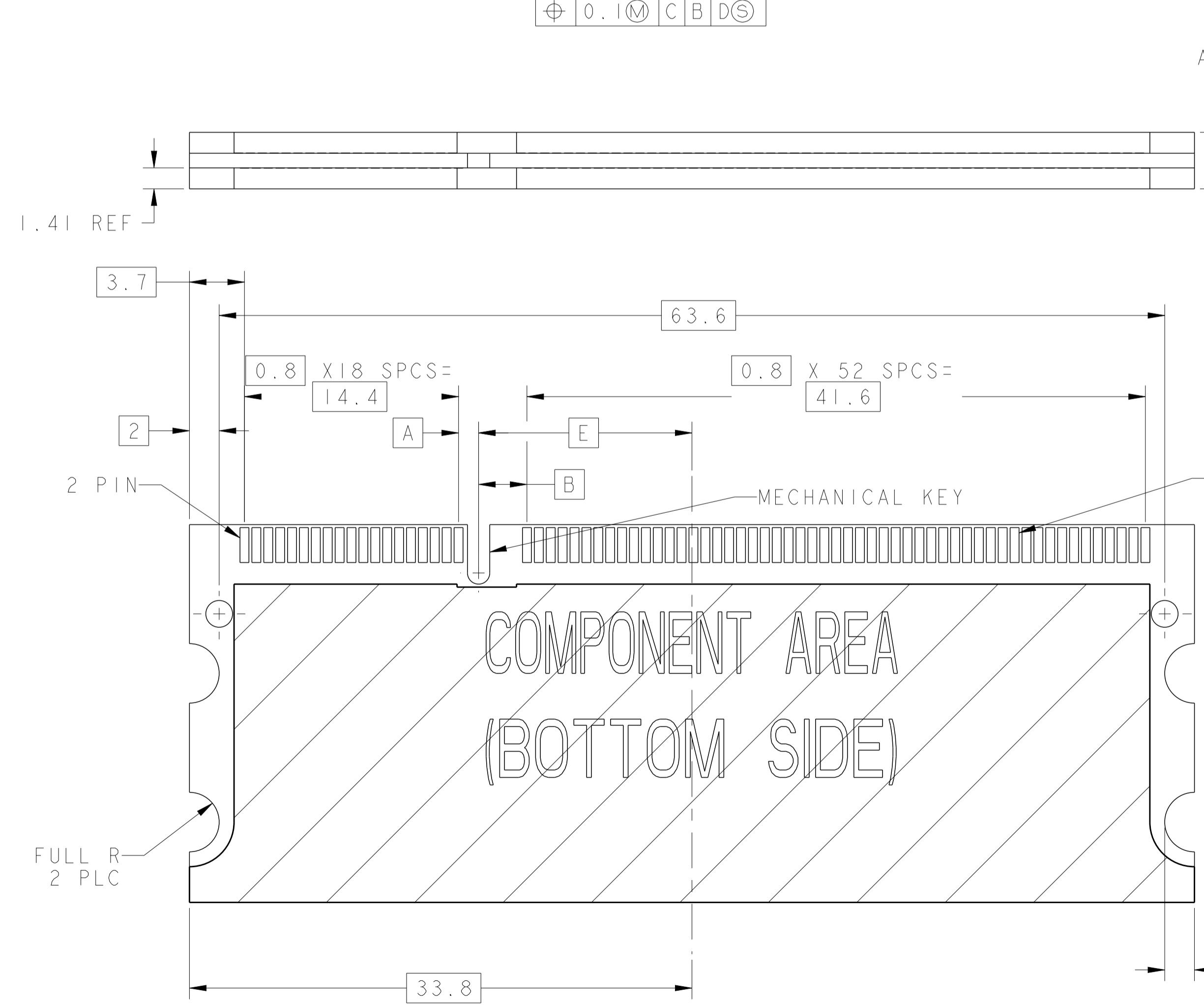
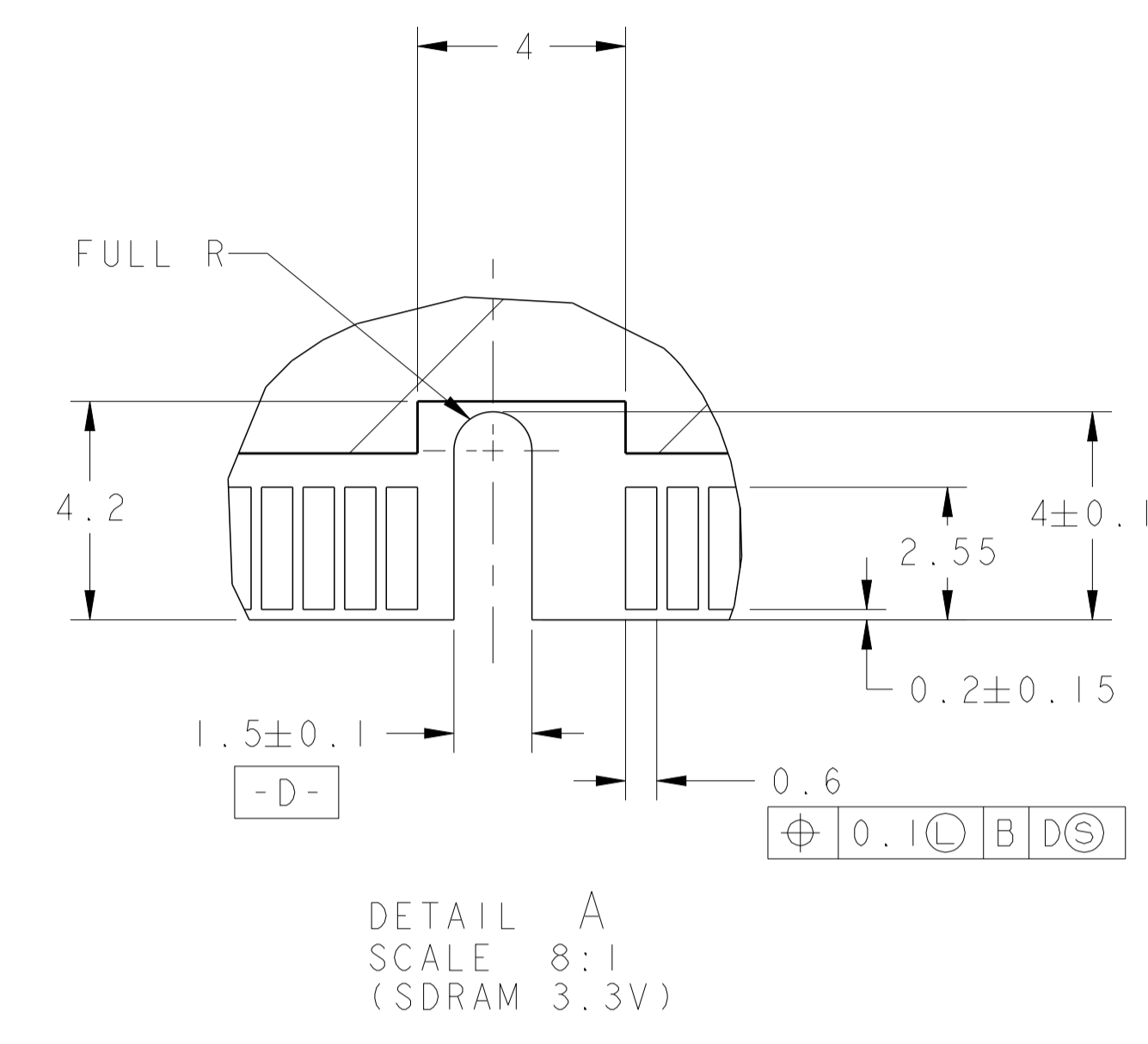
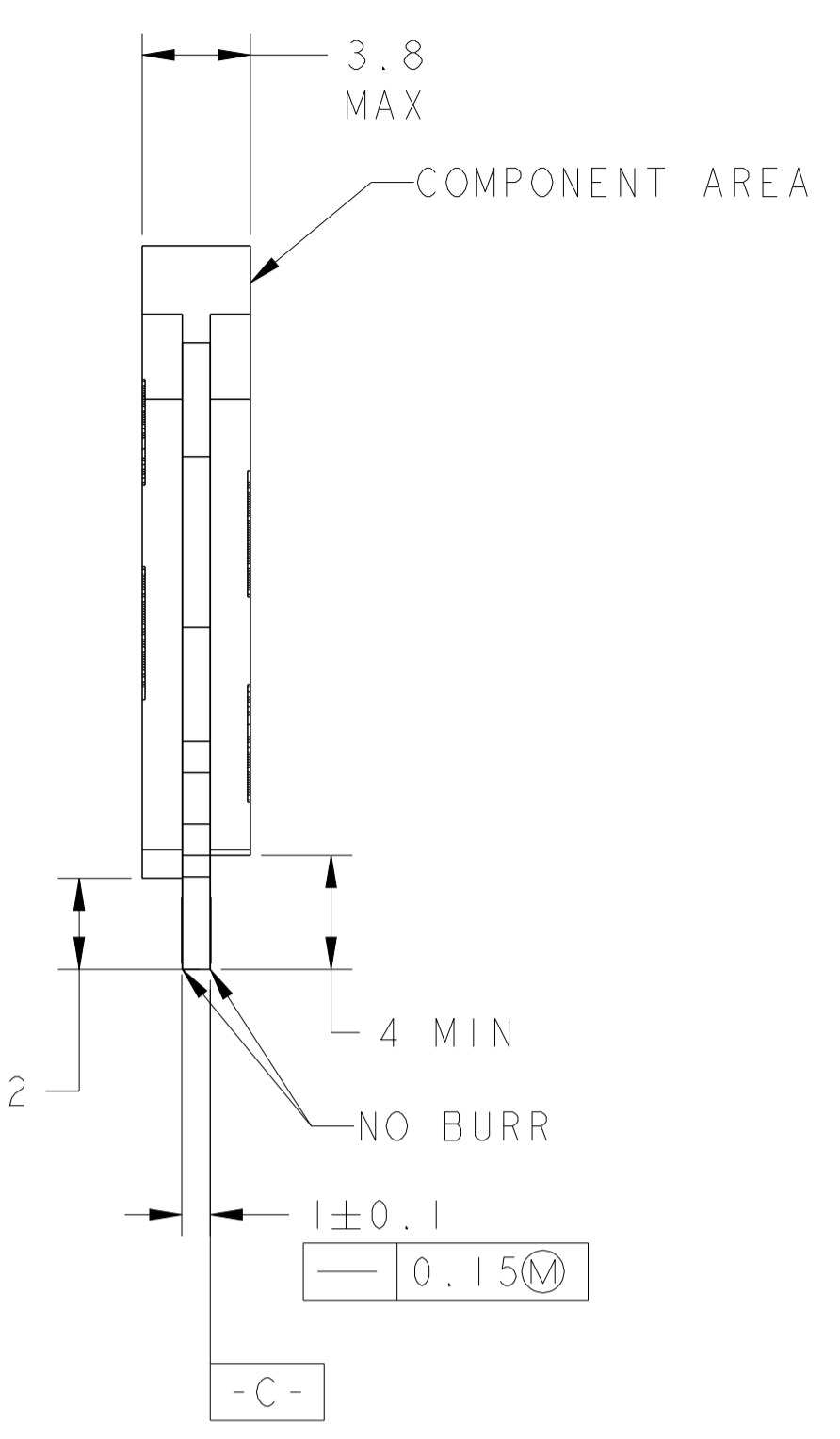
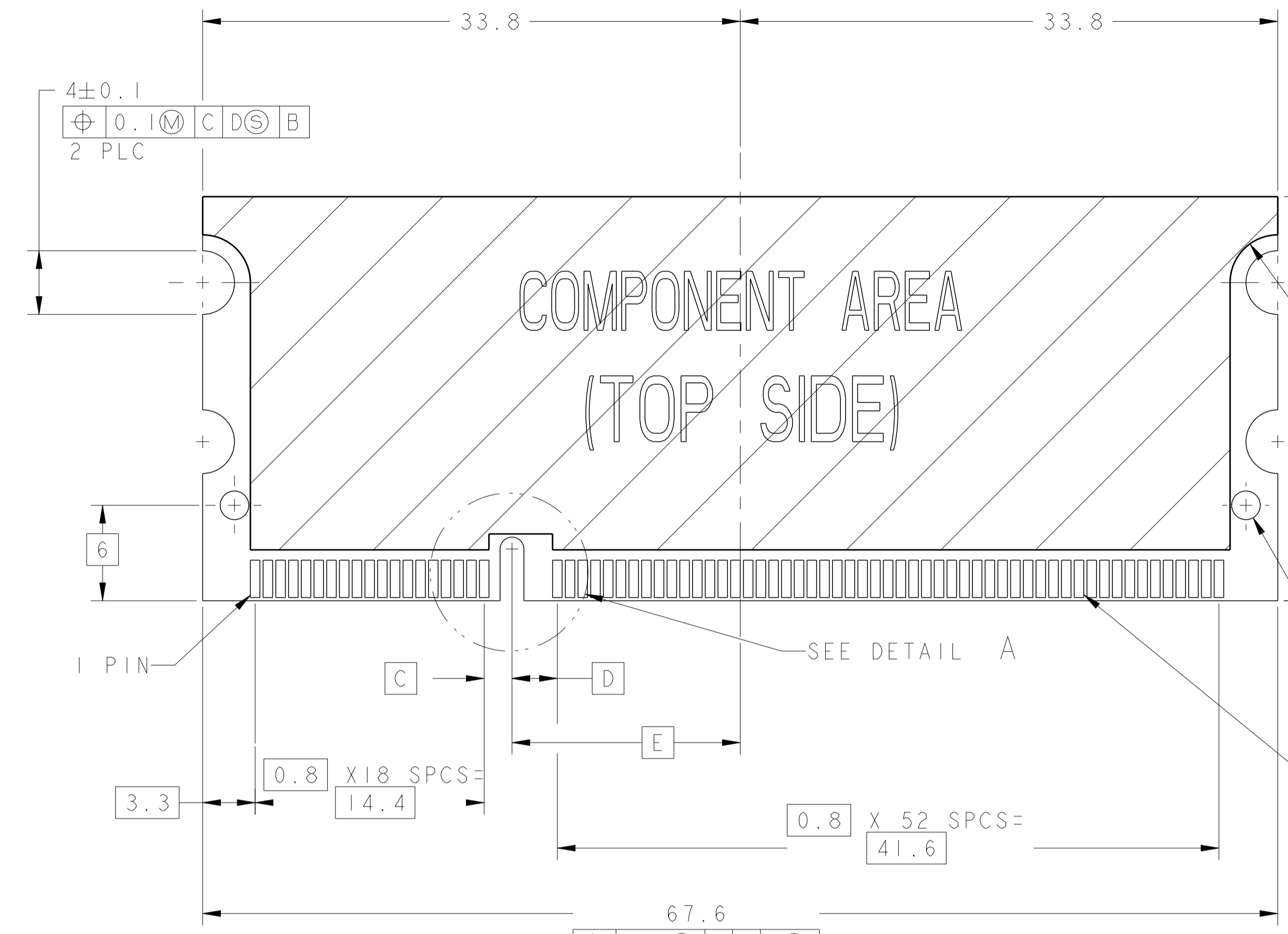


X-1735251-2 AS SHOWN



X-1735251-3 AS SHOWN

| | | | |
|--|--|--|--|
| <small>THIS DRAWING IS A CONTROLLED DOCUMENT FOR AMP INCORPORATED. ALL CHANGES TO THIS DRAWING MUST BE APPROVED BY THE ORIGINAL DESIGNING ORGANIZATION. ANY CHANGES MADE BY OTHER ORGANIZATIONS SHOULD BE CONTACTED FOR THE LATEST REVISION.</small> | | DWN: WYLEE CHK: Y.J. SEE | 25MAT05 STE TE CONNECTIVITY Singapore |
| DIMENSIONS: mm | | TOLERANCES UNLESS OTHERWISE SPECIFIED: 0 PLC ±0.2 1 PLC ±0.2 2 PLC ±0.2 3 PLC ±0.2 4 PLC ±.2 ANGLES ±° | NAME: S.O. DIMM SOCKET, 0.8mm PITCH, 144 POSITION, STD PROFILE PRODUCT SPEC: 108-1739 APPLICATION SPEC: 114-1114 |
| MATERIAL: FINISH | | WEIGHT: - CUSTOMER DRAWING | SIZE: A1 CAGE CODE: 00779 DRAWING NO: C-1735251 SCALE: 4:1 SHEET: 2 of 3 REV: A2 |



RECOMMENDED P.C. BOARD PATTERN LAYOUT (CONNECTOR MOUNTING SIDE)

| | | | | |
|---|---|--|--|------------------------------|
| <small>THIS DRAWING IS A CONTROLLED DOCUMENT FOR AMP INCORPORATED AND IS SUBJECT TO CHANGE. AMP, THE CONTROLLED DOCUMENTING ORGANIZATION SHOULD BE CONTACTED FOR THE LATEST REVISION.</small> | | DWN: WYLEE CHK: Y.J. SEE APVD: SE LEONG PRODUCT SPEC: 108-1739 APPLICATION SPEC: 114-1114 WEIGHT: - CUSTOMER DRAWING | 25MAY05 NAME: S.O. DIMM SOCKET, 0.8mm PITCH, 144 POSITION, STD PROFILE SIZE: A1 CAGE CODE: 00779 DRAWING NO: C-1735251 SCALE: 4:1 SHEET: 3 of 3 REV: A2 | TE CONNECTIVITY Singapore |
| DIMENSIONS: mm 0 PLC ±0.2 1 PLC ±0.2 2 PLC ±0.2 3 PLC ±0.2 4 PLC ±0.2 ANGLES ±° | TOLERANCES UNLESS OTHERWISE SPECIFIED: 0 PLC ±0.2 1 PLC ±0.2 2 PLC ±0.2 3 PLC ±0.2 4 PLC ±0.2 ANGLES ±° | MATERIAL: FINISH: | MATERIAL: FINISH: | |